

ARCHITECTURAL STAIR SYSTEMS

FLOATING TREAD STAIRS™

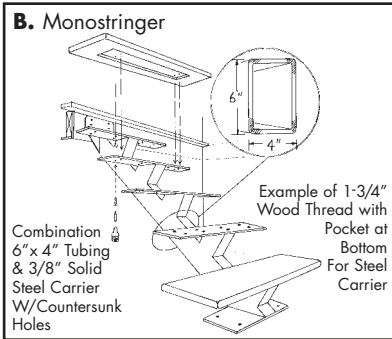
Stringers

Come in several styles; the standard twin stringers and the Mono-Stringer. All include pre-drilled steel carriers and top and bottom mounting systems appropriate for existing floor materials.

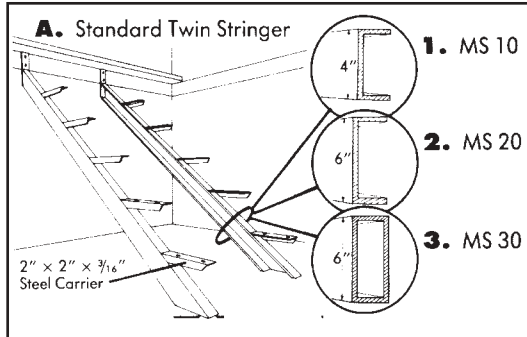
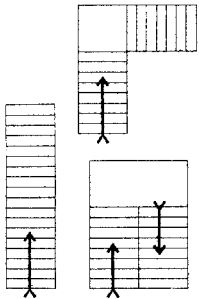
Also:

Side Stringers for:

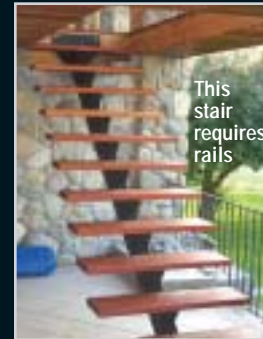
- Fire Proof Pan Stairs &
- Diamond Plate Stairs



Typical Stair Layouts



A variety of rails to choose from.

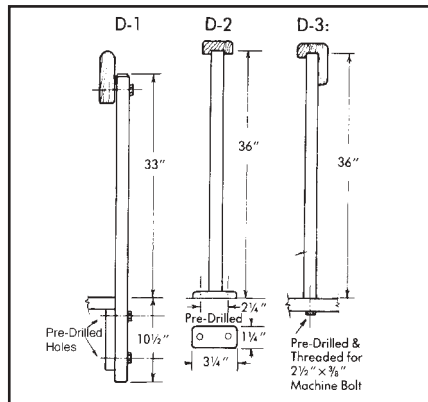


Balusters

Are made of 1" square steel tubing with 3 bottom mounting styles which are suitable for stairs, stairwells, landings or decks with any of the Mylen Rails. Special rail heights available.

Also Available:

- Solid Oak Balusters
- 1" x 1" Square &
- Colonial Style



All stairs are made from detailed shop drawings and ready for shipping in 3-5 weeks after approval, prime painted and shipped knocked down.

For more information, layout assistance or details on other stairs, please contact:

Mylen
STAIRS, INC.

650 Washington Street
Peekskill, NY 10566

914-739-8486

800-431-2155

Fax: 914-739-9744

Internet
www.mylen.com

e-mail
mylen@mylen.com

Treads

Come in oak, pine, mahogany. For others call factory. Nominal 6/4" or 8/4" thickness. (NOTE: Monostringer requires 8/4"). All are sanded and nosed on 3 sides.

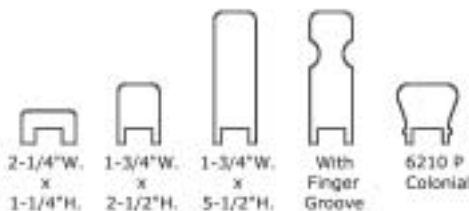
Specialty Treads:

- Diamond Plate,
- Grating treads &
- Concrete-filled Pan Treads



Rails

Several styles in Oak, Mahogany, and other woods.



Multiline Pipe Rails and Cable Rails Available



Top Mount Rail
2-1/2" x 1-1/4"



Side Mount Rail
6/4" or 8/4" x 5 1/2"



Mill Classic Rail
2-1/2" x 4-1/2"



Newel Post

SEE US IN



DIRECTORY



CATALOG FILES



CD



SWEETS.COM